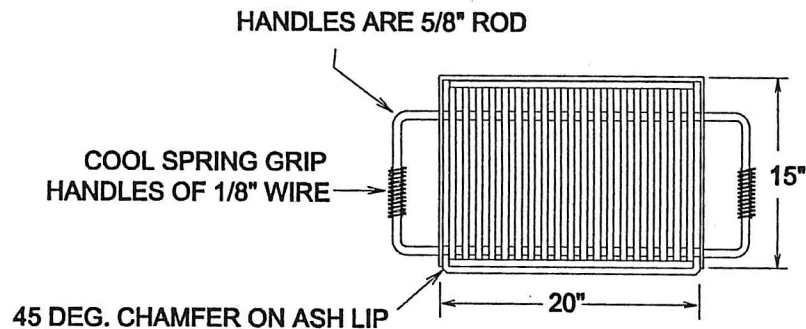
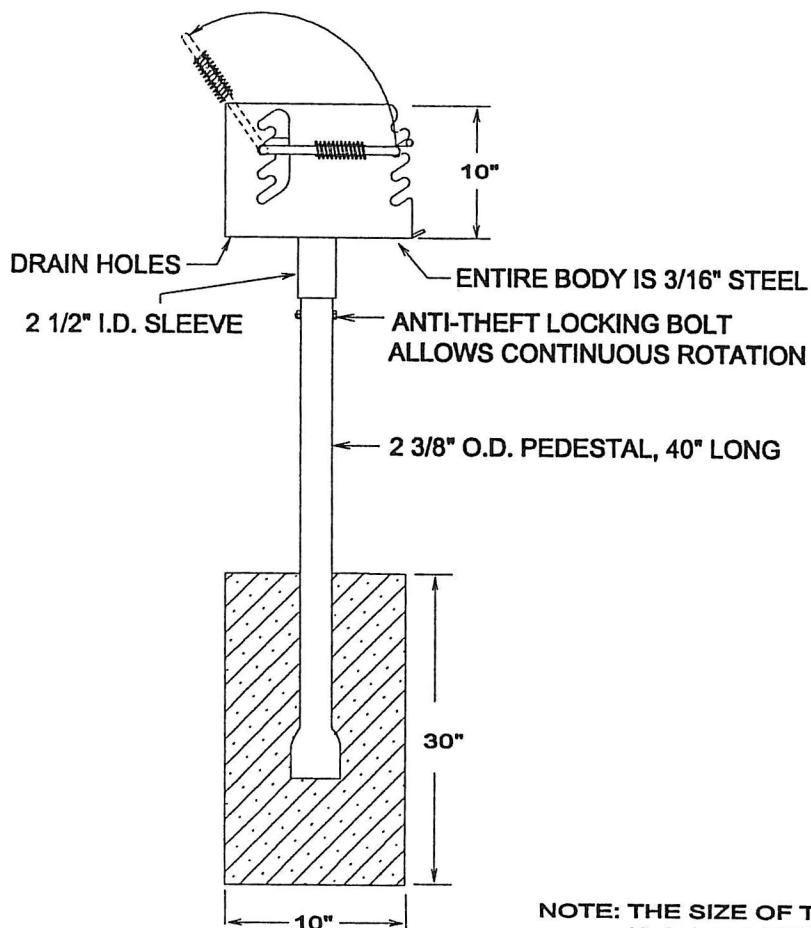


COOKING GRATE HAS 4 LEVELS OF ADJUSTMENT  
AND FLIPS BACK FOR EASY FIRE BUILDING  
AND CLEANOUT, YET CANNOT BE REMOVED  
FROM THE GRILL BODY

COOKING SURFACE IS  
1/2" RODS ON 1" CENTERS  
300 SQ. IN.



**FINISH:**

COOKING GRATE - HEAT RESISTANT BLACK ENAMEL  
BODY & PEDESTAL - *SAME*

NOTE: THE SIZE OF THE FOOTING  
IS ONLY A SUGGESTION  
YOUR LOCAL SOIL CONDITIONS  
SHOULD DETERMINE WHAT IS  
NECESSARY

**FURNITURE LEISURE INC**

OUR LIST OF WEB STORES

www.FurnitureLeisure.com    www.PoolFurnitureSupply.com  
www.PicnicFurniture.com    www.PicnicTableSupplier.com  
www.ParkTables.com    www.UBrace.com

**1.800.213.2401**

MODEL	<b>SF16</b>	WT.	<b>79 lbs.</b>
DRAWN BY	LCB	DATE	1/9/98
		SCALE	NONE