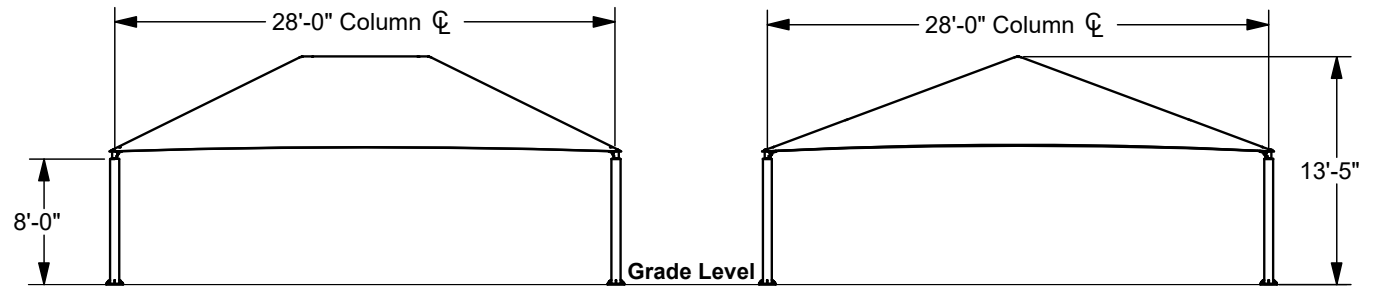


SQUARE HIP SHADE

**28' x 28' x 8'**

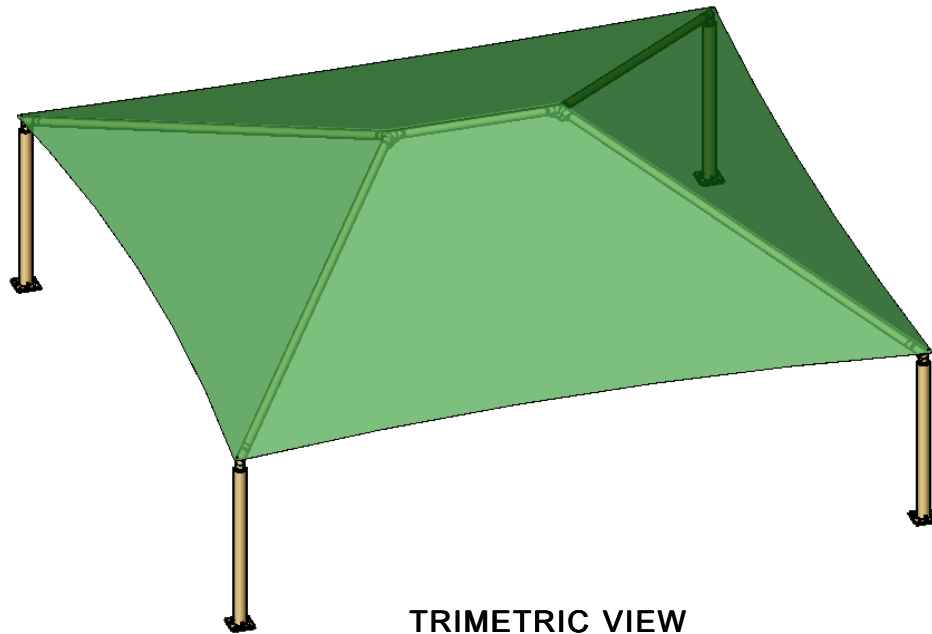
MODEL #:  
SD282808SG (With Glide Elbows)  
SD282808SN (Without Glide Elbows)



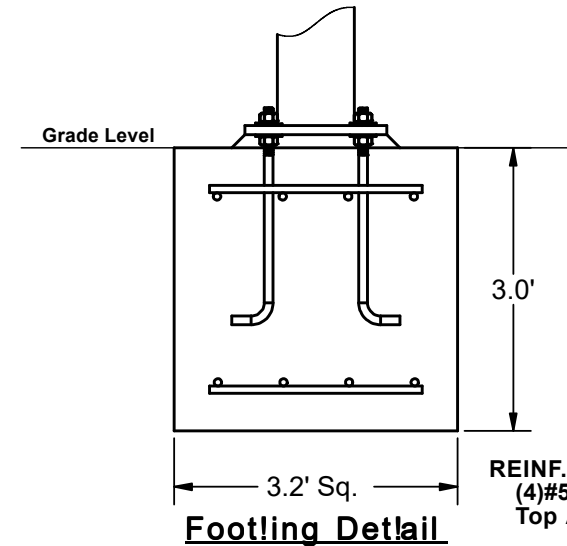
**FRONT VIEW**

**SIDE VIEW**

REF.#	PART DESCRIPTION	QTY.
1	Ø5.0" Capped Surface Mount Column	4
2	Angled Elbow	4
3	Ø3.5" Hip Rafter w/ Swaged End	4
4	Ø3.5" Ridge Pole w/ Swaged Ends	1
5	Square "Y" Connection	2
6	Fabric Cover w/ Cable Insert	1
7	Frame Hardware Kit	1



**TRIMETRIC VIEW**



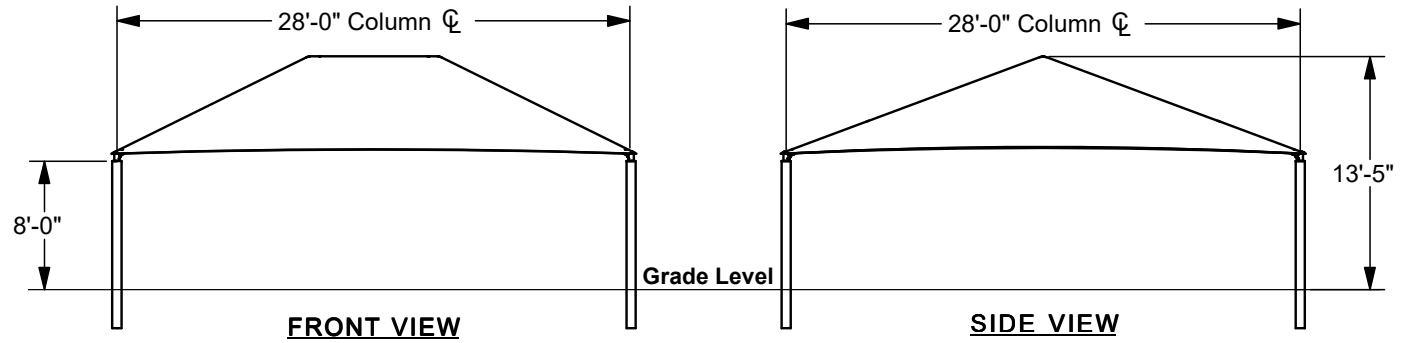
**REINF.**  
**(4) #5 EW**  
**Top And Bottom**

\*Footling design based on 1500 PSF soil bearing pressure.

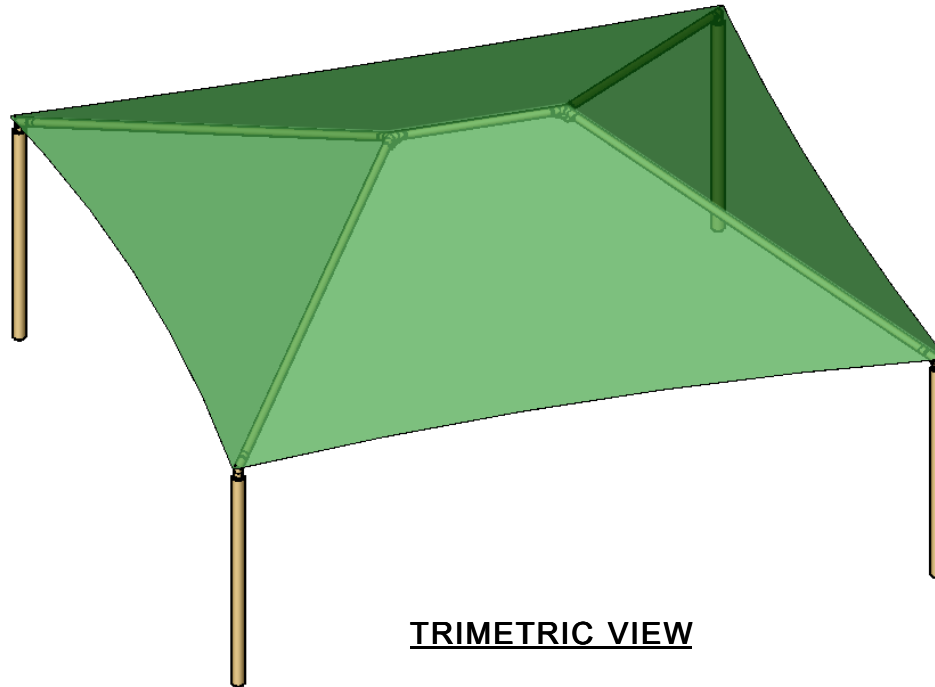
SQUARE HIP SHADE

**28' x 28' x 8'**

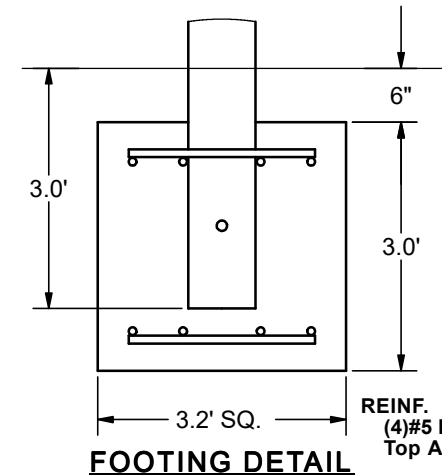
MODEL #:  
SD282808IG (With Glide Elbows)  
SD282808IN (Without Glide Elbows)



REF.#	PART DESCRIPTION	QTY.
1	Ø5.0" Capped Embedded Column	4
2	Angled Elbow	4
3	Ø3.5" Hip Rafter w/ Swaged End	4
4	Ø3.5" Ridge Pole w/ Swaged Ends	1
5	Square "Y" Connection	2
6	Fabric Cover w/ Cable Insert	1
7	Frame Hardware Kit	1



TRIMETRIC VIEW



FOOTING DETAIL

REINF.  
(4)#5 EW  
Top And Bottom

\*Footing design based on 1500 PSF soil bearing pressure.