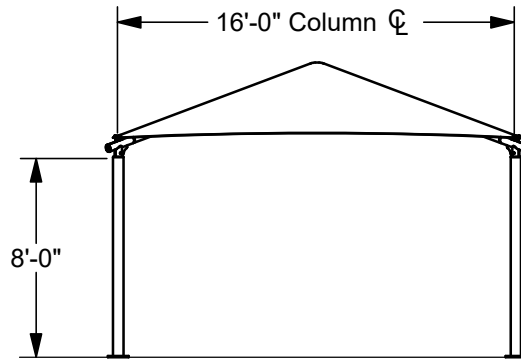


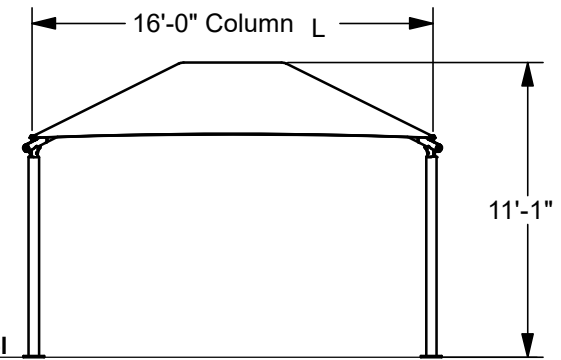
SQUARE HIP SHADE

**16' x 16' x 8'**

MODEL #:  
SD161608SG (With Glide Elbows)  
SD161608SN (Without Glide Elbows)



**SIDE VIEW**

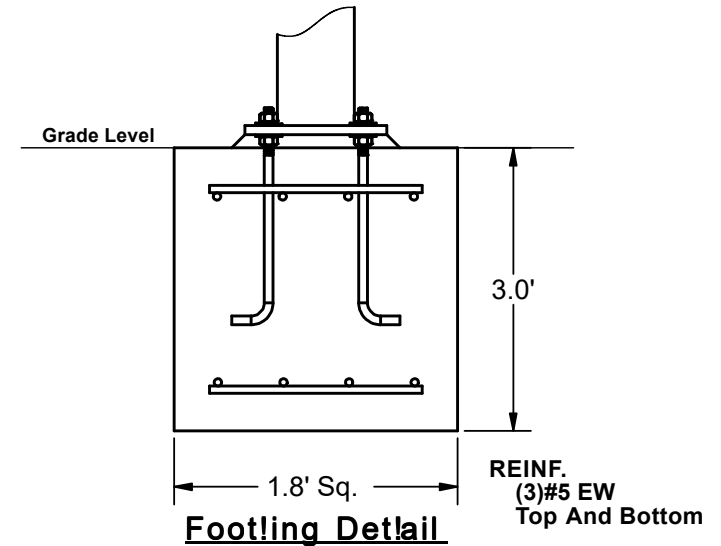


**FRONT VIEW**

REF.#	PART DESCRIPTION	QTY.
1	Ø3.5" Capped Surface Mount Column	4
2	Angled Elbow	4
3	Ø2.5" Hip Rafter w/ Swaged End	4
4	Ø2.5" Ridge Pole w/ Swaged Ends	1
5	Square "Y" Connection	2
6	Fabric Cover w/ Cable Insert	1
7	Frame Hardware Kit	1



**TRIMETRIC VIEW**



**Footling Detail**

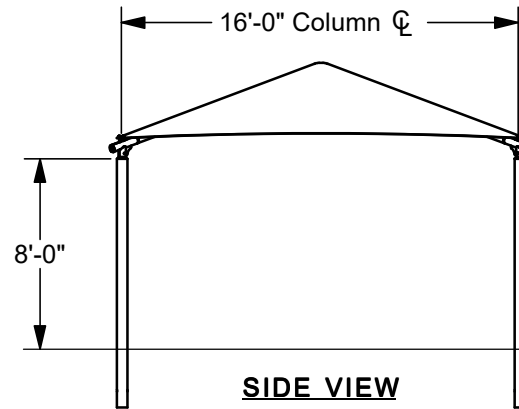
REINF.  
(3)#5 EW  
Top And Bottom

\*Footing design based on 1500 PSF soil bearing pressure.

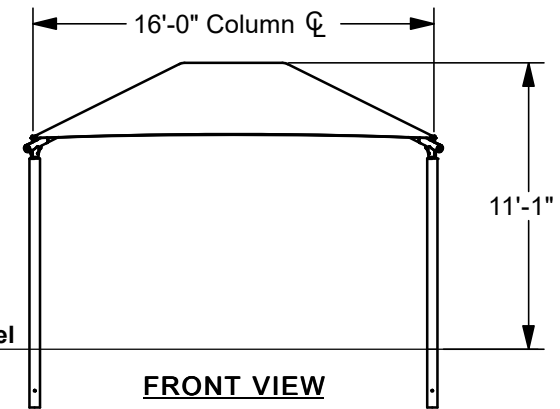
SQUARE HIP SHADE

**16' x 16' x 8'**

MODEL #:  
SD161608IG (With Glide Elbows)  
SD161608IN (Without Glide Elbows)

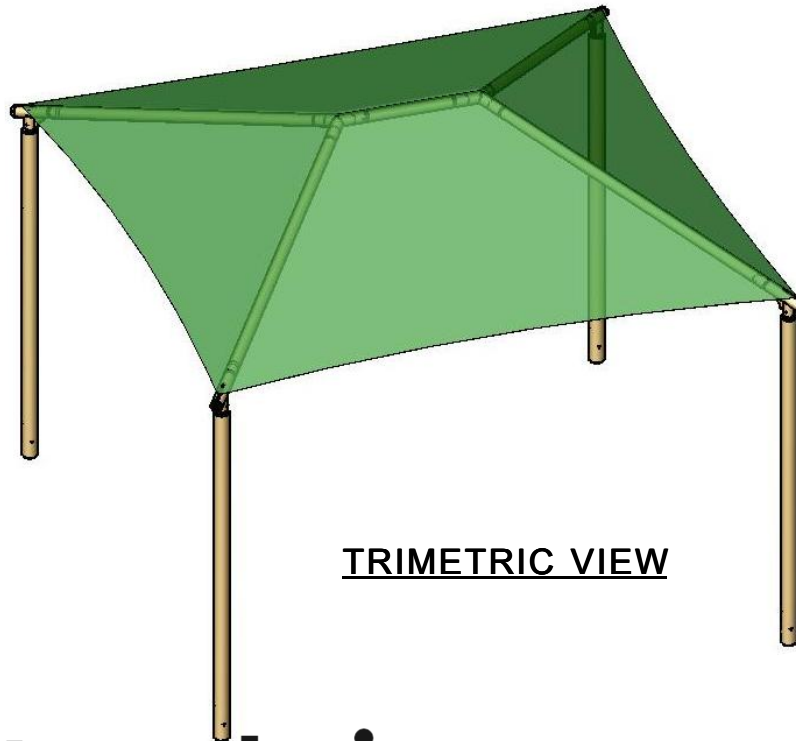


**SIDE VIEW**

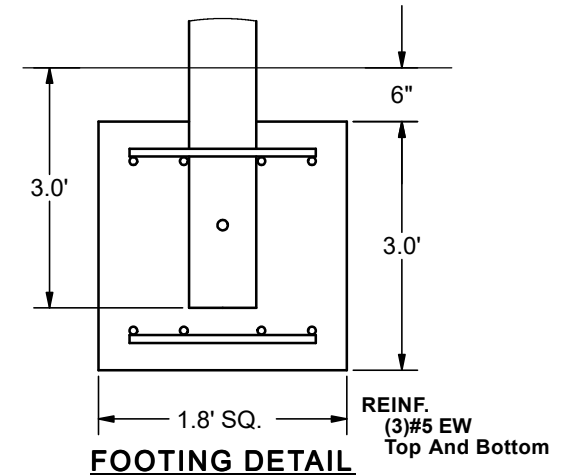


**FRONT VIEW**

REF.#	PART DESCRIPTION	QTY.
1	Ø3.5" Capped Embedded Column	4
2	Angled Elbow	4
3	Ø2.5" Hip Rafter w/ Swaged End	4
4	Ø2.5" Ridge Pole w/ Swaged Ends	1
5	Square "Y" Connection	2
6	Fabric Cover w/ Cable Insert	1
7	Frame Hardware Kit	1



**TRIMETRIC VIEW**



**FOOTING DETAIL**

REINF.  
(3)#5 EW  
Top And Bottom

\*Footing design based on 1500 PSF soil bearing pressure.