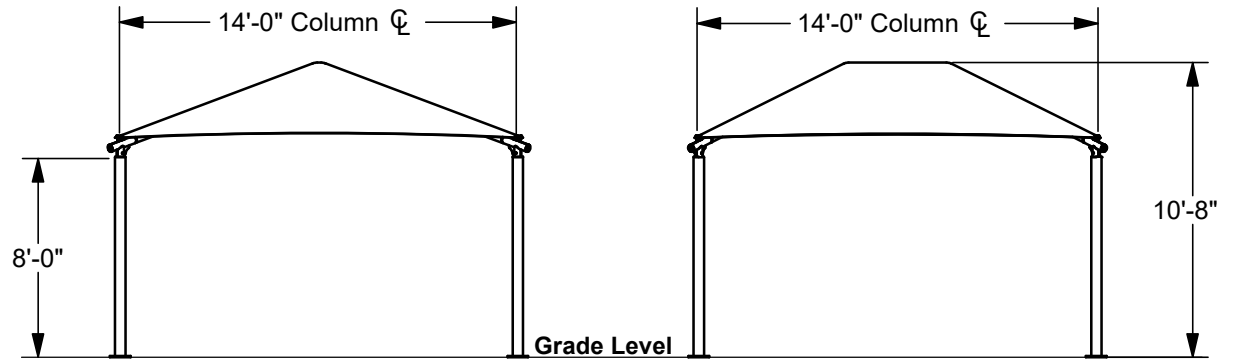


SQUARE HIP SHADE

14' x 14' x 8'

MODEL #:
SD141408SG (With Glide Elbows)
SD141408SN (Without Glide Elbows)



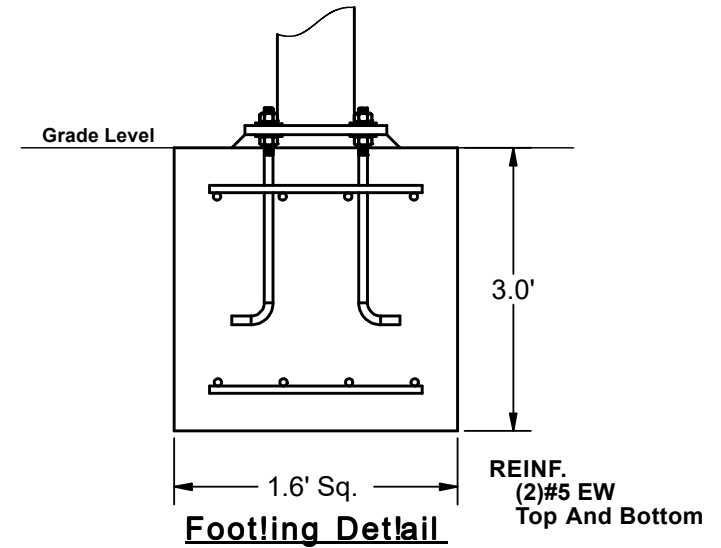
SIDE VIEW

FRONT VIEW

| REF.# | PART DESCRIPTION | QTY. |
|-------|-----------------------------------|------|
| 1 | Ø3.5" Capped Surface Mount Column | 4 |
| 2 | Angled Elbow | 4 |
| 3 | Ø2.5" Hip Rafter w/ Swaged End | 4 |
| 4 | Ø2.5" Ridge Pole w/ Swaged Ends | 1 |
| 5 | Square "Y" Connection | 2 |
| 6 | Fabric Cover w/ Cable Insert | 1 |
| 7 | Frame Hardware Kit | 1 |



TRIMETRIC VIEW



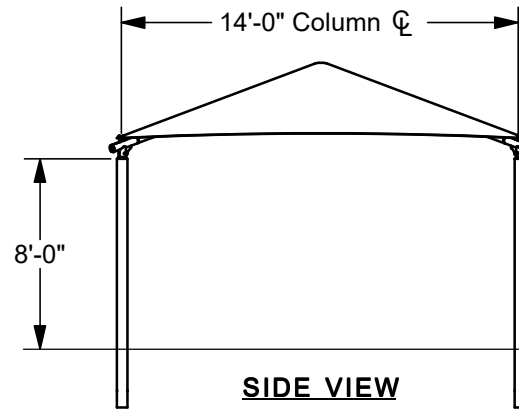
REINF.
(2)#5 EW
Top And Bottom

*Footing design based on 1500 PSF soil bearing pressure.

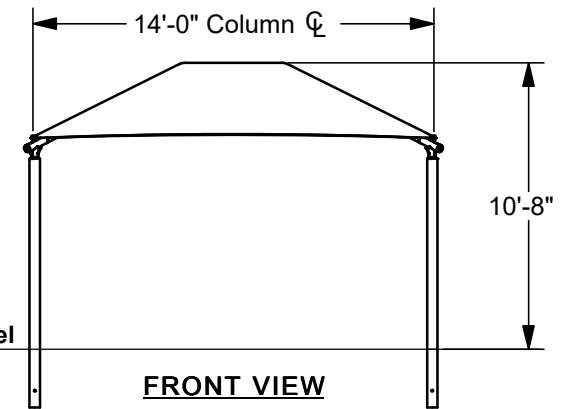
SQUARE HIP SHADE

14' x 14' x 8'

MODEL #:
SD141408IG (With Glide Elbows)
SD141408IN (Without Glide Elbows)

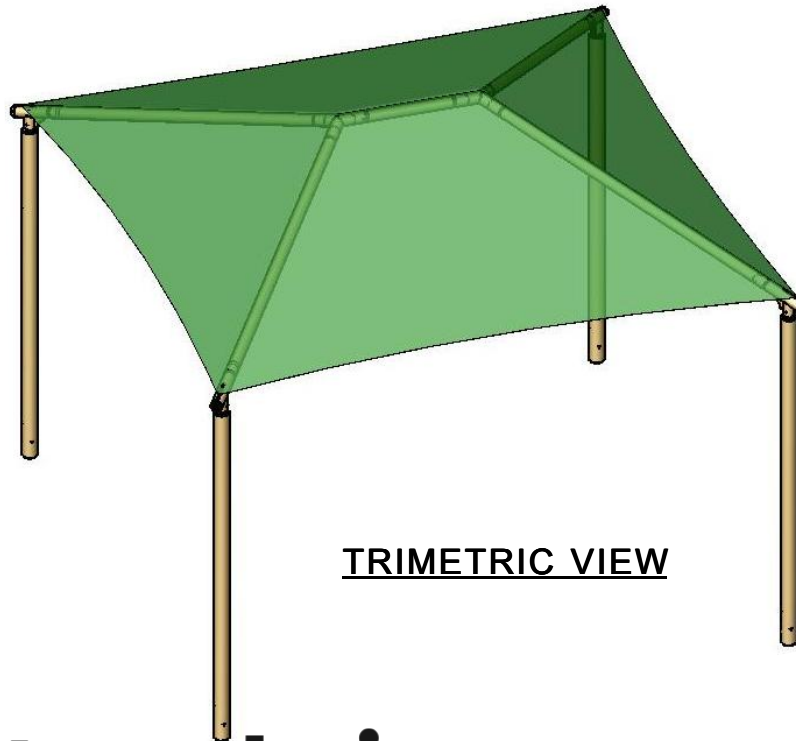


SIDE VIEW

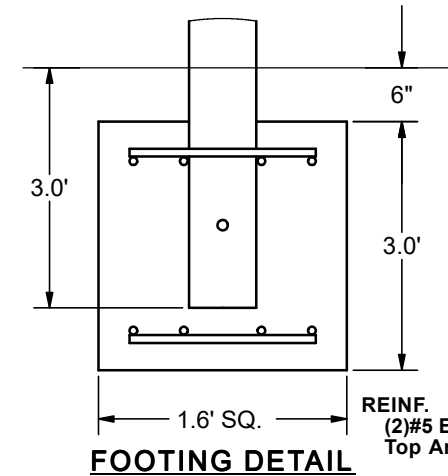


FRONT VIEW

| REF.# | PART DESCRIPTION | QTY. |
|-------|---------------------------------|------|
| 1 | Ø3.5" Capped Embedded Column | 4 |
| 2 | Angled Elbow | 4 |
| 3 | Ø2.5" Hip Rafter w/ Swaged End | 4 |
| 4 | Ø2.5" Ridge Pole w/ Swaged Ends | 1 |
| 5 | Square "Y" Connection | 2 |
| 6 | Fabric Cover w/ Cable Insert | 1 |
| 7 | Frame Hardware Kit | 1 |



TRIMETRIC VIEW



FOOTING DETAIL

REINF.
(2)#5 EW
Top And Bottom

*Footing design based on 1500 PSF soil bearing pressure.