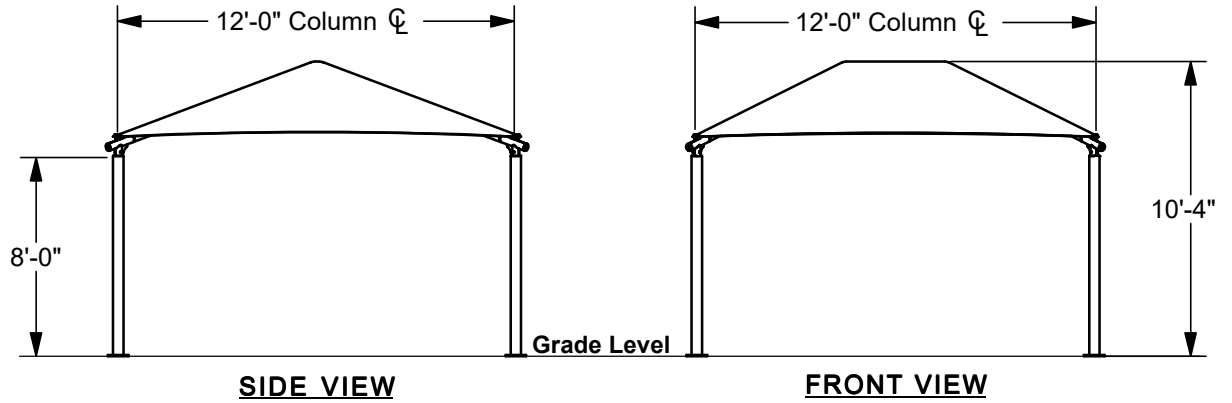


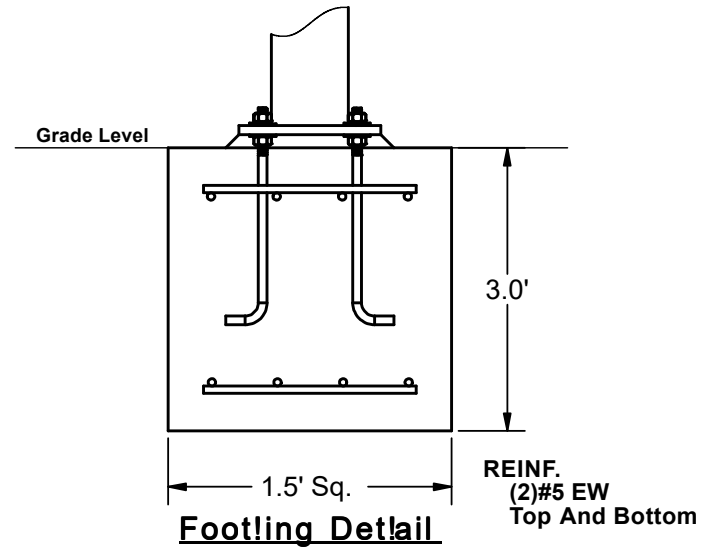
SQUARE HIP SHADE

12' x 12' x 8'

MODEL #:
SD121208SG (With Glide Elbows)
SD121208SN (Without Glide Elbows)



REF.#	PART DESCRIPTION	QTY.
1	Ø3.5" Capped Surface Mount Column	4
2	Angled Elbow	4
3	Ø2.5" Hip Rafter w/ Swaged End	4
4	Ø2.5" Ridge Pole w/ Swaged Ends	1
5	Square "Y" Connection	2
6	Fabric Cover w/ Cable Insert	1
7	Frame Hardware Kit	1

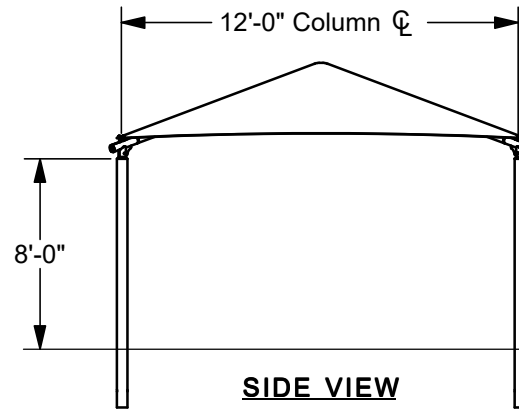


*Footing design based on 1500 PSF soil bearing pressure.

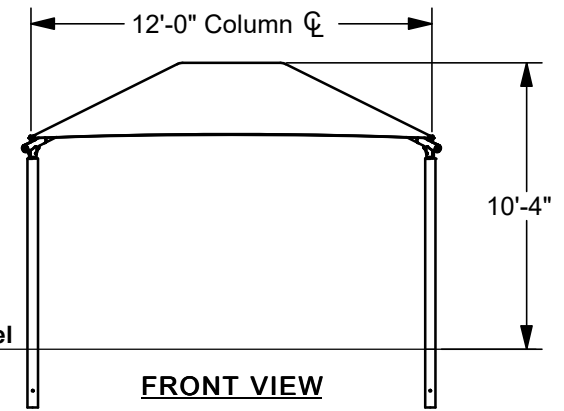
SQUARE HIP SHADE

12' x 12' x 8'

MODEL #:
SD121208IG (With Glide Elbows)
SD121208IN (Without Glide Elbows)

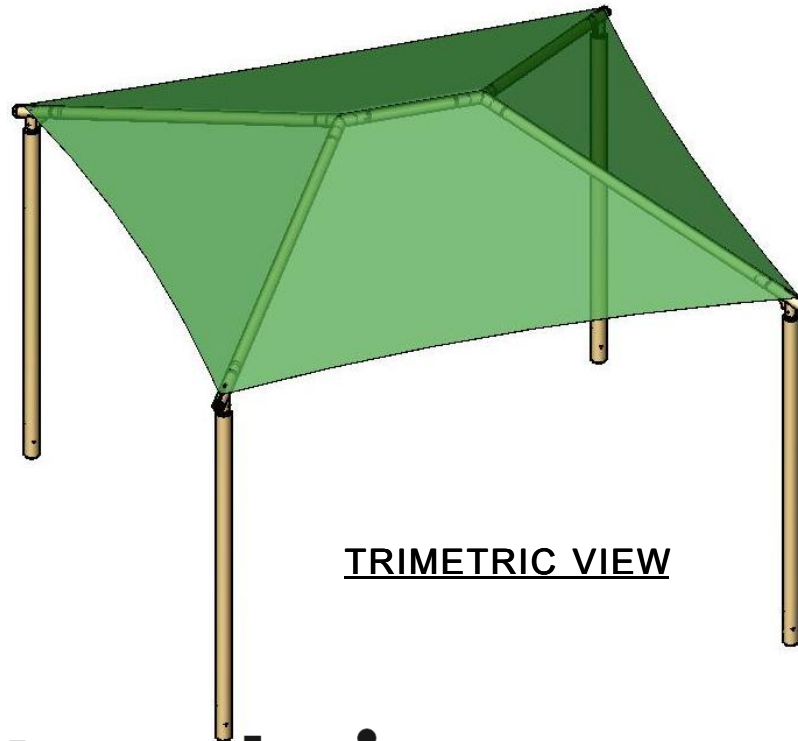


SIDE VIEW

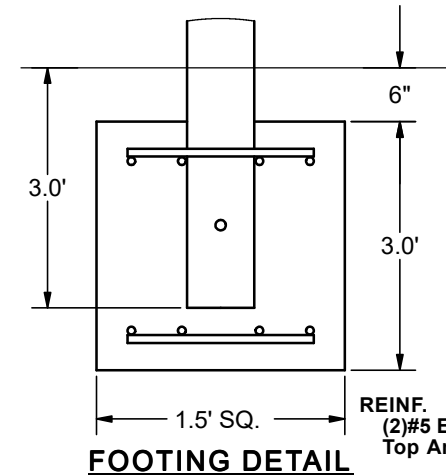


FRONT VIEW

REF.#	PART DESCRIPTION	QTY.
1	Ø3.5" Capped Embedded Column	4
2	Angled Elbow	4
3	Ø2.5" Hip Rafter w/ Swaged End	4
4	Ø2.5" Ridge Pole w/ Swaged Ends	1
5	Square "Y" Connection	2
6	Fabric Cover w/ Cable Insert	1
7	Frame Hardware Kit	1



TRIMETRIC VIEW



FOOTING DETAIL

REINF.
(2)#5 EW
Top And Bottom

*Footing design based on 1500 PSF soil bearing pressure.